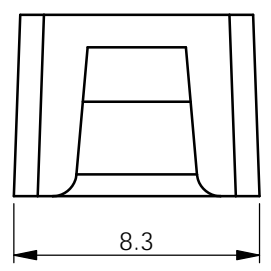
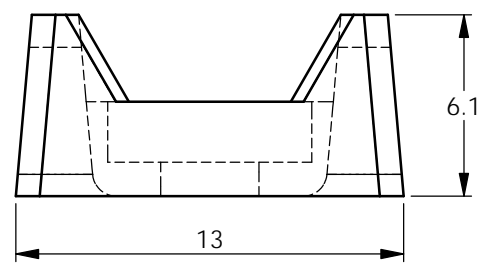
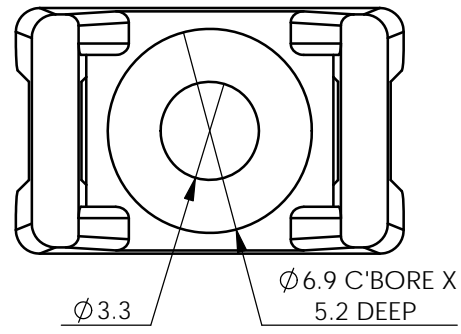


| REV. | MODIFICATION. | DATE | DRN |
|------|---------------|----------|-----|
| 01 | CO2011083 | 21/02/11 | SF |

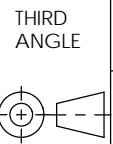


| MOUNTING RIVETS FOR FTH-28RS | | |
|------------------------------|-------------|-----------------|
| RIVET No. | HOLE ϕ | PANEL THICKNESS |
| SR-3035 | 3.1 - 3.2 | UP TO 0.9 |
| SR-3045 | | 0.9 - 1.9 |
| SR-3055 | | 1.9 - 2.9 |
| SR-3065 | | 2.9 - 3.9 |
| SR-3075 | | 3.9 - 4.9 |
| SR-3080 | | 4.4 - 5.4 |
| SR-3090 | | 5.4 - 6.4 |
| SR-3100 | | 6.4 - 7.4 |

INFORMATION CONTAINED IN THIS DOCUMENT IS CONFIDENTIAL TO RICHCO INTERNATIONAL Co. Ltd. AND MAY NOT BE DISCLOSED OR REPRODUCED IN WHOLE OR PART WITHOUT THEIR WRITTEN CONSENT.

RICHCO, INC.
 WWW.RICHCO-INC.COM

ALL DIMENSIONS IN mm
 GENERAL TOLERANCES ± 0.25
 UNLESS OTHERWISE STATED
 1 DECIMAL PLACE \pm
 2 DECIMAL PLACES \pm
 ANGULAR $\pm 1^\circ$



MATERIAL: See table COLOUR: See table

DESCRIPTION: FLAT TIE HOLDER PART No: See Table

DRG No: 011-030 NPR No: XXXX-XXX SHEET SIZE A4

| | | | | | |
|--------|---------------|---------|---------------|-----------|------------------|
| DRN SF | DATE 21/02/11 | CHKD JK | DATE 21/02/11 | SCALE NTS | SHEET No. 1 OF 1 |
|--------|---------------|---------|---------------|-----------|------------------|

| | | |
|---|---|------------------------------|
| MATERIAL: UL94 V-2 NYLON 6/6, RMS-01* COLOUR: NATURAL | | |
| PART No. | CABLE TIE ACCEPTED | MOUNTING SCREW RIVET |
| FTH-28RS-01 | ALL RG CABLE TIES UP TO SIZE RG-210/310 | M3 SCREW OR RIVET(SEE TABLE) |
| *AVAILABLE IN UL94 V-0 BY SPECIAL ORDER. TO ORDER REPLACE -01 WITH -19. | | |