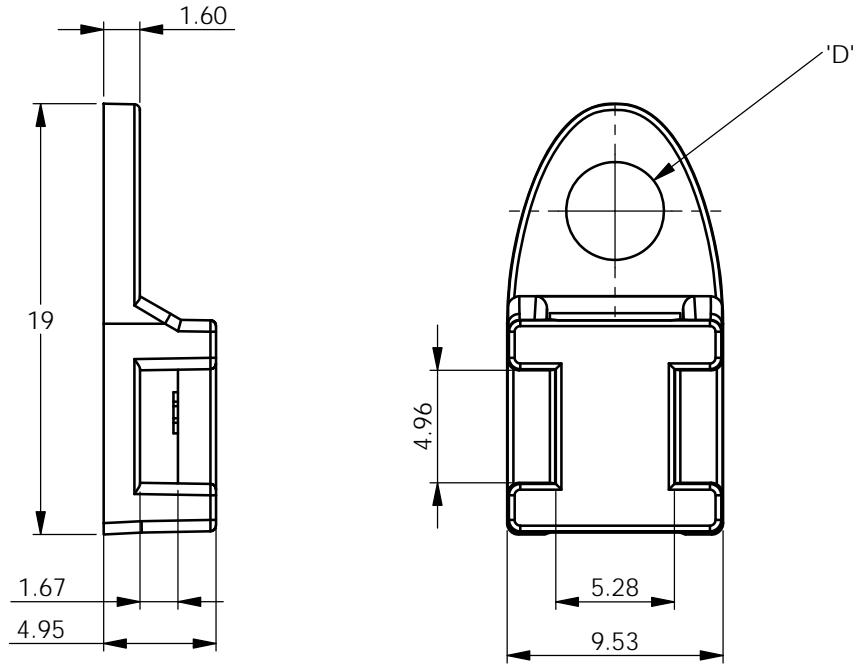


REV.	MODIFICATION.	DATE	DRN
01	CO2011086	21/02/11	SF



INFORMATION CONTAINED IN THIS DOCUMENT IS CONFIDENTIAL TO RICHCO INTERNATIONAL Co. Ltd. AND MAY NOT BE DISCLOSED OR REPRODUCED IN WHOLE OR PART WITHOUT THEIR WRITTEN CONSENT.

**RICHCO, INC.**  
WWW.RICHCO-INC.COM

ALL DIMENSIONS IN mm  
GENERAL TOLERANCES  $\pm 0.25$   
UNLESS OTHERWISE STATED  
1 DECIMAL PLACE  $\pm$   
2 DECIMAL PLACES  $\pm$   
ANGULAR  $\pm 1^\circ$

THIRD ANGLE



MATERIAL: UL94 V-2 NYLON 6/6, RMS-01* COLOUR: NATURAL			
PART No.	'D' $\phi$	CABLE TIE ACCEPTED	MOUNTING SCREW
FTH-34-01	4.3	ALL RG CABLE TIES UP TO SIZE RG-220/320	M4
FTH-35-01	5.1		M5
*AVAILABLE IN UL94 V-0 BY SPECIAL ORDER. TO ORDER REPLACE -01 WITH -19.			

MATERIAL: SEE TABLE		COLOUR: SEE TABLE	
DESCRIPTION: TIE ANCHOR MOUNT		PART No: SEE TABLE	
DRG No: 011-033		NPR No:	
SHEET SIZE A4			
DRN SF	DATE 21/02/11	CHKD JK	DATE 21/02/11
SCALE NTS	SHEET No. 1 OF 1		